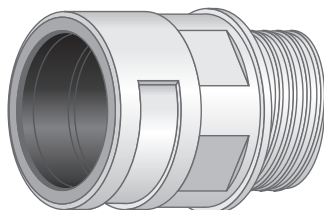


## Raccordi High Line per guaine corrugate LFNC-C



### High Line fittings for corrugated conduits LFNC-C

Liquid-tight Flexible Nonmetallic Conduit Type C



### Impiego - Use

I raccordi High Line sono caratterizzati da una alta resistenza all'impatto e alle vibrazioni, sono dotati di un sistema di bloccaggio con clip che ne facilita l'installazione e ne garantisce una elevata resistenza allo sgancio. Questi raccordi hanno un'ottima resistenza agli oli e ai prodotti chimici e una tenuta fino a IP68/NEMA 6P.

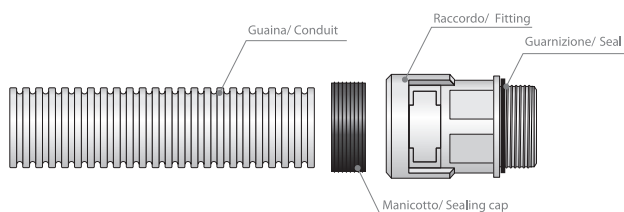
The High Line fittings have a very high impact and vibration resistance, they are provided with a locking clip for an easy installation and for a very good resistance to release. These fittings are resistant to oils and chemical products and they have a grade of protection up to IP68/NEMA 6P.

### Dati Tecnici - Technical data

Caratteristica - Characteristics	Valore/proprietà - Value/property
Costruzione <i>Construction</i>	Raccordi costituiti da corpo con clip di tenuta, guarnizione piana e manicotto in gomma <i>Fittings made of a body with retaining clips, flat gasket and sealing cap</i>
Materiale <i>Material</i>	Poliammide 6 <i>Polyamide 6</i>
Temperatura massima di esercizio <i>Maximum working temperature</i>	+105°C con punte discontinue fino a +160°C <i>+105°C intermittent up to +160°C</i>
Temperatura minima di esercizio <i>Minimum working temperature</i>	-40°C
Grado di protezione <i>Protection class</i>	IP 67/NEMA 6 in posa mobile/ <i>for dynamic applications</i> IP 68/NEMA 6P in posa fissa/ <i>for static applications</i>
Halogen-free	Sì/Yes
Non propagante la fiamma <i>Flame retardant</i>	V0/V2 (UL 94)
Colore <i>Color</i>	Nero, Grigio* <i>Black, Gray*</i>
Guaine compatibili <i>Compatible tubing</i>	High Line
Riferimenti normativi costruttivi <i>Standards of construction</i>	UL 514B, CSA C22.2 No. 227.2.1-04, UL 94

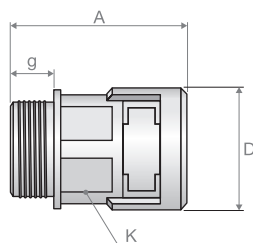
\* Colore solo su specifica richiesta e per quantitativo minimo applicabile.

\* Color available upon request and with minimum applicable quantities.



### Codifiche e dimensioni - Coding and dimensions

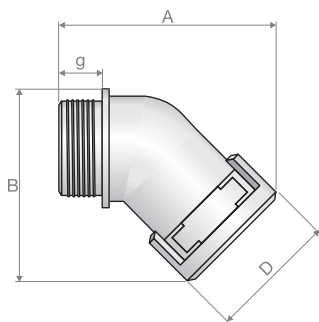
#### Raccordo diritto maschio - Straight male fitting



Codice <i>Code</i>	Versione <i>Version</i>	Filetto <i>Thread</i>	Dimensione guaina <i>Conduit size</i> NW	Dimensioni - <i>Dimensions</i> [mm]				Confezione <i>Packaging</i> [pz]
				g	D	A	K	
PM□UNV-M207-UL.50	ISO	M20x1,5	17	11,0	29,5	47,5	26	50
PM□UNV-M257-UL.50	ISO	M25x1,5	17	12,0	32,0	48,5	26	50
PM□UNV-M253-UL.30	ISO	M25x1,5	23	12,0	37,0	52,0	32	30
PM□UNV-M323-UL.30	ISO	M32x1,5	23	15,0	43,0	55,5	32	30
PM□UNV-M329-UL.20	ISO	M32x1,5	29	15,0	44,0	56,0	40	20
PM□UNV-M409-UL.20	ISO	M40x1,5	29	19,0	49,0	60,0	40	20

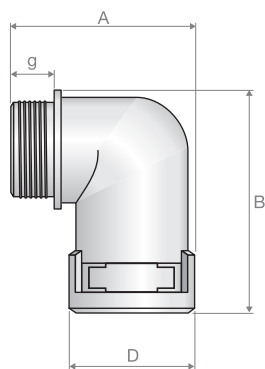
Codice Code	Versione Version	Filetto Thread	Dimensione guaina Conduit size NW	Dimensioni - Dimensions [mm]				Confezione Packaging [pz]
				g	D	A	K	
PM□UNV-M406-UL.20	ISO	M40x1,5	36	19,0	55,0	72,5	50	20
PM□UNV-M506-UL.20	ISO	M50x1,5	36	19,0	59,0	72,0	50	20
PM□UNV-M508-UL.10	ISO	M50x1,5	48	19,0	69,0	72,5	65	10
PM□UNV-M638-UL.10	ISO	M63x1,5	48	19,0	75,0	72,0	65	10
PM□UNV-N027-UL.50	NPT	1/2"	17	13,0	29,5	49,5	26	50
PM□UNV-N043-UL.30	NPT	3/4"	23	14,0	37,0	54,0	32	30
PM□UNV-N069-UL.20	NPT	1"	29	15,0	44,0	56,0	40	20
PM□UNV-N076-UL.20	NPT	1" 1/4	36	18,0	55,0	71,0	50	20
PM□UNV-N088-UL.10	NPT	1" 1/2	48	18,0	69,0	71,5	65	10
PM□UNV-N098-UL.10	NPT	2"	48	18,0	69,0	71,5	65	10

### Raccordo maschio 45° - 45° male fitting



Codice Code	Versione Version	Filetto Thread	Dimensione guaina Conduit size NW	Dimensioni - Dimensions [mm]				Confezione Packaging [pz]
				g	D	A	B	
PM□UAV-M207-UL.50	ISO	M20x1,5	17	11,0	29,5	55,5	51,5	50
PM□UAV-M253-UL.30	ISO	M25x1,5	23	12,0	37,0	65,0	58,5	30
PM□UAV-M329-UL.20	ISO	M32x1,5	29	15,0	44,0	73,5	66,5	20
PM□UAV-M406-UL.20	ISO	M40x1,5	36	19,0	53,5	92,5	85,5	20
PM□UAV-M506-UL.20	ISO	M50x1,5	36	19,0	53,5	92,5	89,5	20
PM□UAV-M508-UL.10	ISO	M50x1,5	48	19,0	66,0	100,0	96,0	10
PM□UAV-M638-UL.10	ISO	M63x1,5	48	19,0	66,0	100,0	104,0	10
PM□UAV-N027-UL.50	NPT	1/2"	17	13,0	29,5	57,5	51,5	50
PM□UAV-N043-UL.30	NPT	3/4"	23	14,0	37,0	67,0	60,0	30
PM□UAV-N069-UL.20	NPT	1"	29	15,0	44,0	73,5	67,0	20
PM□UAV-N076-UL.20	NPT	1" 1/4	36	18,0	53,5	91,5	85,5	20
PM□UAV-N088-UL.10	NPT	1" 1/2	48	18,0	66,0	99,0	96,0	10
PM□UAV-N098-UL.10	NPT	2"	48	18,0	66,0	99,0	101,0	10

## Raccordo maschio 90° - 90° male fitting



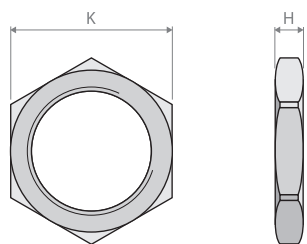
Codice Code	Versione Version	Filetto Thread	Dimensione guaina Conduit size NW	Dimensioni - Dimensions [mm]				Confezione Packaging [pz]
				g	D	A	B	
PM□UWV-M207-UL.50	ISO	M20x1,5	17	11,0	29,5	43,5	58,5	50
PM□UWV-M253-UL.30	ISO	M25x1,5	23	12,0	37,0	54,0	65,0	30
PM□UWV-M329-UL.20	ISO	M32x1,5	29	15,0	44,0	64,5	73,0	20
PM□UWV-M406-UL.20	ISO	M40x1,5	36	19,0	53,5	78,0	96,0	20
PM□UWV-M508-UL.10	ISO	M50x1,5	48	19,0	66,0	91,5	106,0	10
PM□UWV-N027-UL.50	NPT	1/2"	17	13,0	29,5	45,5	58,5	50
PM□UWV-N043-UL.30	NPT	3/4"	23	14,0	37,0	56,0	66,5	30
PM□UWV-N069-UL.20	NPT	1"	29	15,0	44,0	64,5	73,5	20
PM□UWV-N076-UL.20	NPT	1" 1/4	36	18,0	53,5	77,0	96,0	20
PM□UWV-N088-UL.10	NPT	1" 1/2	48	18,0	66,0	90,5	106,0	10
PM□UWV-N098-UL.10	NPT	2"	48	18,0	66,0	90,5	111,0	10

## Composizione del codice - Code composition

PM	□	□□□	_	□□□	□	-UL	.	□□ ... □	Confezione Packaging	Inserire To be inserted
									1, 2, ...	1, 2, ...
									Dimensioni nominali Nominal size	Inserire To be inserted
									17, 23, 29, 36, 48	7, 3, 9, 6, 8
									Filetto Thread	Inserire To be inserted
									M12, M16, ..., M63	M12, M16, ..., M63
									NPT 1/2", 3/4", 1", 1" 1/4, 1" 1/2, 2"	N02, N04, N06, N07, N08, N09
Colore Color	Inserire To be inserted	Versione Version	Inserire To be inserted							
Nero Black	B	Raccordo diritto maschio Straight male fitting	UNV							
Grigio* Gray*	S	Raccordo maschio 45° 45° male fitting	UAV							
		Raccordo maschio 90° 90° male fitting	UWV							

\* Colore solo su specifica richiesta e per quantitativo minimo applicabile.  
\* Color available upon request and with minimum applicable quantities.

## Ghiera esagonale - Lock nut

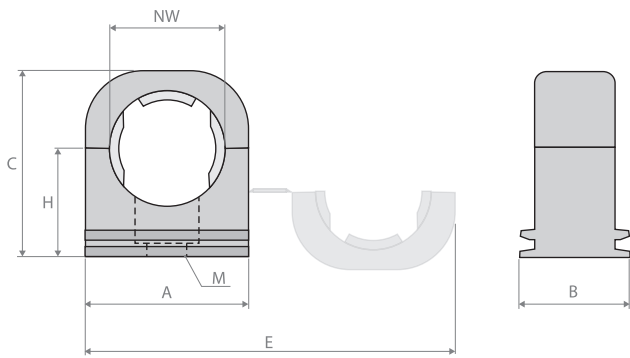


Codice Code	Versione Version	Filetto Thread	Dimensioni - Dimensions [mm]		Confezione Packaging [pz]
			K	H	
PM□MN-M12.100	ISO	M12x1,5	18	5,0	100
PM□MN-M16.100	ISO	M16x1,5	22	5,0	100
PM□MN-M20.100	ISO	M20x1,5	26	6,0	100
PM□MN-M25.100	ISO	M25x1,5	32	6,0	100
PM□MN-M32.100	ISO	M32x1,5	41	7,0	100
PM□MN-M40.50	ISO	M40x1,5	50	7,0	50
PM□MN-M50.50	ISO	M50x1,5	60	8,0	50
PM□MN-M63.50	ISO	M63x1,5	75	8,0	50
PM□MN-N02.100	NPT	1/2"	27	6,0	100
PM□MN-N04.50	NPT	3/4"	34	7,0	50
PM□MN-N06.50	NPT	1"	40	7,0	50
PM□MN-N07.20	NPT	1" 1/4	50	8,0	20
PM□MN-N08.25	NPT	1" 1/2	57	8,0	25
PM□MN-N09.10	NPT	2"	70	8,5	10

## Composizione del codice - Code composition

PM	□	MN-	□□□	.	□□...□	Confezione Packaging	Inserire To be inserted
						1, 2, ...	1, 2, ...
Colore Color	Inserire To be inserted	Filetto Thread	Inserire To be inserted				
Nero Black	B	M12, M16, ..., M63	M12, M16, ..., M63				
Grigio Gray	G	NPT 1/2", 3/4", 1", 1" 1/4, 1" 1/2, 2"	N02, N04, N06, N07, N08, N09				

## Fissaggi per guaine - Conduit supports



Codice Code	Dimensione nominale Nominal Size NW	Diametro nominale Nominal diameter DN [mm]	Dimensioni - Dimensions [mm]						Confezione Packaging [pz]
			A	B	C	H	E	M	
PM□FH-07-0.100	07	10	17,0	20,0	21,5	13,5	40,5	M4	100
PM□FH-10-0.100	10	12	20,5	20,0	24,5	15,5	47,5	M5	100
PM□FH-12-0.100	12	16	24,0	20,0	27,0	16,5	54,5	M5	100
PM□FH-17-0.100	17	20	30,0	20,0	34,0	20,0	68,0	M6	100
PM□FH-23-0.100	23	25	38,5	20,0	42,0	24,0	85,0	M6	100
PM□FH-29-0.100	29	32	45,5	20,0	48,0	27,0	99,0	M6	100
PM□FH-36-0.50	36	40	55,5	20,0	56,0	31,0	119,0	M6	50
PM□FH-48-0.50	48	50	67,5	20,0	68,0	37,0	143,0	M6	50

## Composizione del codice - Code composition

PM	□	FH-	□□	-0	.	□□...□	Confezione Packaging	Inserire To be inserted
							1, 2, ...	1, 2, ...

Colore Color	Inserire To be inserted	Dimensioni nominali Nominal size	Inserire To be inserted
Nero Black	B	7, 10, 12, 17, 23, 29, 36, 48	07, 10, 12, 17, 23, 29, 36, 48
Grigio Gray	S		